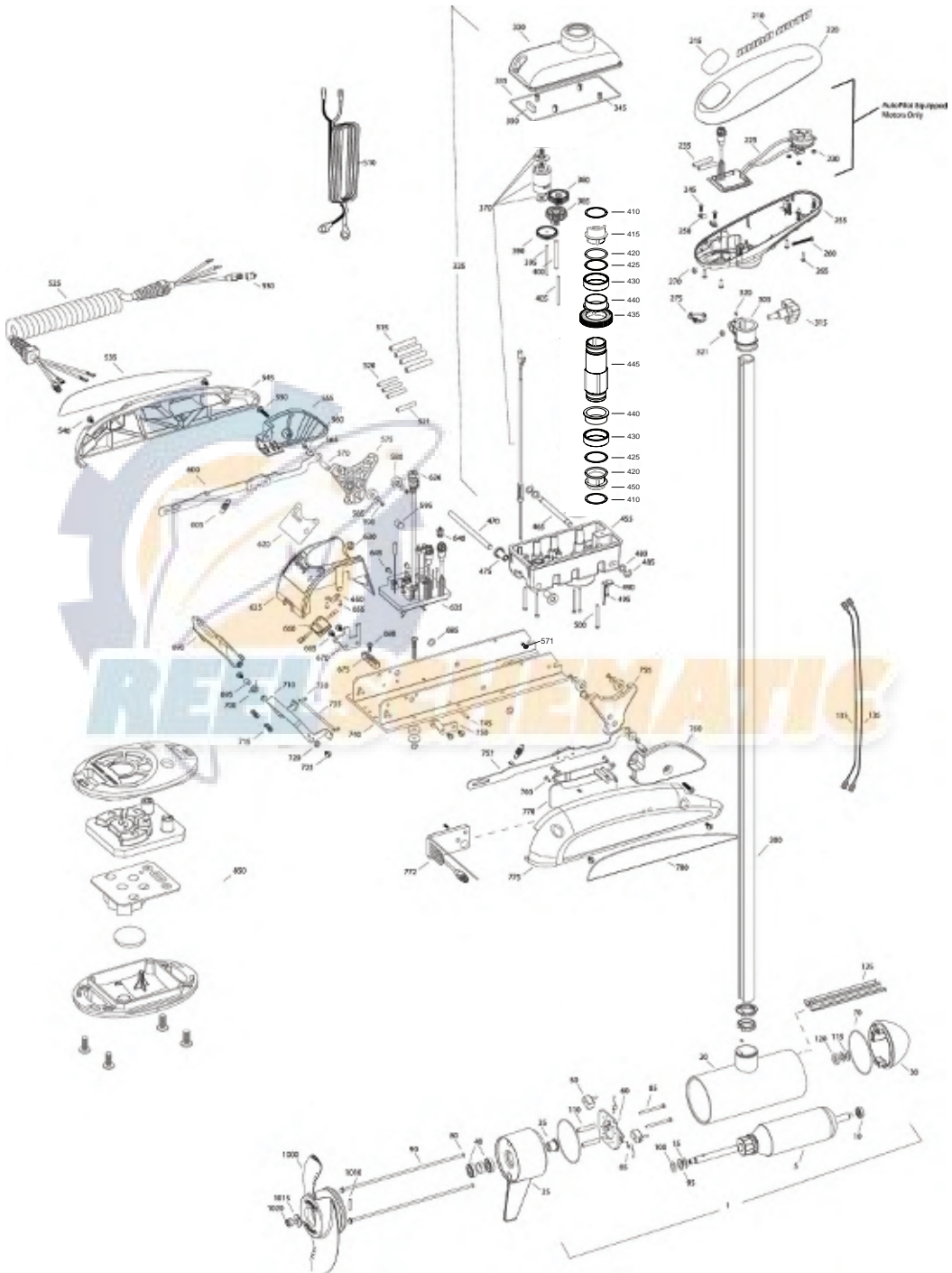


RT80/ST
80 LBS THRUST
24 VOLT 56 AMPS
54" OR 60" SHAFT

for use with "P" serial numbers
2-year warranty



Item	P/N	Description	Qty	Item	P/N	Description	Qty
1	2777027	24V Motor 60" SW	1	335	2324604	O-ring, case seal	1
	2777026	24V Motor 54" SW	1	345	2302605	Roll pin 5/16	4
5	2-100-214	Armature assembly	1	350	2308601	Breather, filter	1
10	140-010	Bearing	1	360	2302240	Pinion gear	1
15	788-040	Retaining ring	1	365	2300265	Cap, motor, plastic	1
20		Included in #200 assembly		370	2777020	Motor, steering, 24V	1
25	2-300-370	Brush end housing assembly	1	380	2302255	Gear, cluster 3rd stage	1
30	421-376	Plain end housing assembly SW	1	385	2302250	Gear, cluster 2nd stage	1
35	144-017	Flange bearing	1	390	2302245	Gear, cluster 1st stage	1
40	880-025	Seal	2	395	2302610	Shaft, gear 1st stage	1
50	188-094	Brush	2	400	2302620	Shaft, gear 3rd stage	1
60	2-600-199	Brush plate assembly	1	405	2302615	Shaft, gear 2nd stage	1
65	975-041	Brush spring	2	410	2321704	Washer, thrust	2
70	701-043	O-ring, motor	2	415	2321515	Liner, output tube	1
80	701-009	O-ring, thru-bolt	2	420	2324608	O-ring, 224	2
85	830-027	Screw, 10-32 x 2	2	425	2321720	Shim, O-ring	2
90	830-094	Thru-bolt 12-24 x 10.31	2	430	2327315	Bushing, Aluminum Spacer	2
95	990-051	Washer, steel	2	435	2322200	Gear, output	1
100	990-052	Washer, nylatron	2	440	2327314	Bushing, Pro Steering	2
110	973-025	Spacer, brush plate	2	445	2322031	Tube, output machined	1
115	992-010	Washer, Belleville	2	450	2321510	Collar, drive, bottom	1
120	990-045	Spacer, thrust	1	455	2326507	Steering housing, Bottom	1
125	582-013	Clip, retaining, short	1	460	2320605	Leadwire, Steering	1
135	640-025	Leadwire, black	1	465	2322601	Pin, latch, SS	1
136	640-133	Leadwire, red	1	470	2322603	Pin, pivot, SS	1
				475	2327310	Bushing, pivot pin	2
200	2777396	Tube, composite 60" SW	1	480	2321702	Washer, flat .375	2
205		Included in #200 assembly		485	2263011	E-ring .375	2
				490	2322702	Spring, latch pin	2
210	2325666	Decal, cover	2	495	2323410	Screw, 8-32 x .75	1
215	2325686	Decal, ctrl box 80 RT	1	500	2323408	Screw, 8-32 x 2	7
	2325683	Decal, ctrl box 80 RT Autopilot	1	510	2090651	Leawire, 10 ga	1
220	2320201	Cover, ctrl box	1	515	2305403	Shrink tube - .5 ID x 1.0 Adhesive	4
225	2324032	Ctrl board, compass, Autopilot only	1	520	2305410	Shrink tube - .315 OD x 2.25"	3
230	2302960	Grommet, compass, Autopilot only	3	521	2305415	Shrink tube - .472 OD x 2.25"	1
235	2305415	Wire insulator	2	525	2991271	Coil cord, 54" / 60"	1
245	2372100	Screw, 8-18 x .625	3	530	2320202	Cap, dust, coil cord, non-AP only	1
250	2052510	Cable clamp	3	535	2325643	Decal, sideplate, left	1
255	2322501	Ctrl box	1	540	2323405	Screw, 1/4-20	4
260	2332102	Screw, 10-24	1	545	2321916	Sideplate, left	1
265	2372100	Screw, 8-18 x .625	4	550	2323403	Screw, 1/4-20 x .375 SS	2
				555	2321925	Skid, left	1
270	2333101	Nut, 10-24	1	560	2323422	Screw, 10-24 x .375	2
275	2224702	Plug, ctrl box	1	565	2321700	Washer, #10 SS	2
305	2771500	Depth collar assembly	1	570	2322921	Stand-off, aluminum anodized	2
315	2260906	Knob (included in #305)	1	571	2323405	Screw, 1/4-20 x 1/2" MCH SS	2
320	2321706	Washer (included in #305)	1	575	2323905	Ramp, 4" left	1
321	3233102	Nut (included in #305)	1	580	2325117	Pad, rubber rest	4
				585	2321706	Washer, #8	4
325	2997022	Steering housing	1	590	2323412	Screw, 8-18 x .25	4
330	2326502	Steering housing top	1	595	2324706	Insert, ramp	2

* This item is part of an assembly. This item cannot be sold separately due to machining and/or assembly that is required.

Item	P/N	Description	Qty	Item	P/N	Description	Qty
600	2994203	Arm, release, left	1	1020	2198401	Nut, Anode, nylock, prop, large	1
605	2322710	Spring, extension	2				
■	2770251	Cover, speed control with decal	1	■	2994864	Mounting hardware bag assy	
620	2325651	Decal, speed control	1				
625	2320211	Cover, speed control	1	■	2889460	Seal & Oring Kit	
630	2322901	Strain relief	1				
635	2324019	Control board, 24-36v	1				
■	2884050	Switch-reed repair kit					
636	2320208	Dust plug	1				
640	2320203	Cap, dust, control board	1				
645	2323406	Screw, 10-24 x	2				
650	2321315	Holder, connector	1				
655	2332103	Screw, 6-20 x .375	2				
660	2074081	Battery meter, 24v	1				
665	2323402	Screw, 1/4-20 x .375	4				
670	2321941	Bracket, strain relief	1				
675	2321310	Strain relief, wire	1				
680	2323405	Screw, 1/4-20 x .5	1				
685	2333100	Speed nut, .375	2				
690	2320216	Handle, release cover	1				
695	2301700	Bushing,	1				
700	2322701	Spring, release handle	1				
710	2320401	Handle, release SW	1				
715	2322712	Spring, release handle	2				
720	2322604	Bushing, handle	2				
725	2332104	Screw, 1/4-20 x .625	2				
730	2323000	E-clip, 3/16, SS	2				
735	2322607	Pin, follower, handle	1				
740	2321906	Base extrusion, machined SW	1				
745	2322912	Spring pin,	2				
750	2321951	Bracket, sideplate	1				
755	2323900	Ramp, 4" right	1				
757	2994201	Arm, release, Right	1				
760	2321920	Skid, right	1				
765	2301310	Screw, 8-18 x .5	3				
770	2370221	Cover, access, SW	1				
772	2374197	Copilot Reciever Board	1				
775	2321911	Sideplate, right, SW	1				
780	2325642	Decal, sideplate, right	1				
850	2994095	Remote assembly	1				
851		Case, cover, transmitter	1				
860		Keypad, transmitter	1				
865		Transmitter board	1				
870		Battery, transmitter	1				
875		Case, bottom, transmitter	1				
880		Screw, 4-24	4				
■	1378132	Propeller kit WW2					
■	2994876	Propeller bag assy					
1000	2331160	Propeller WW2	1				
1010	2262658	Drive pin, large	1				
1015	2091701	Washer, prop, large	1				

THIS IS A UNIVERSAL MULTI-VOLTAGE DIAGRAM. DOUBLE CHECK YOUR MOTORS VOLTAGE FOR PROPER CONNECTIONS

Riptide 80 is 24-volts only!

